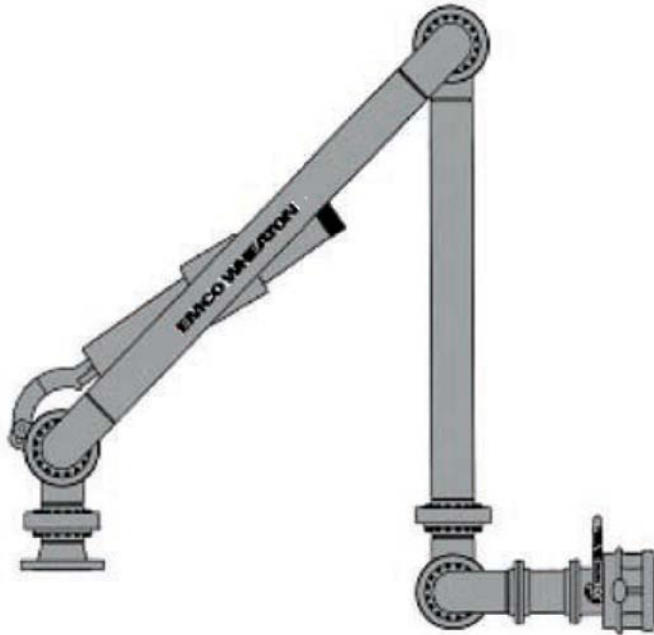


## A-FRAME BOTTOM LOADING ARM | E2313



**5 year limited warranty** on D2000 World Series swivel joints.

Recommended for servicing both sides of the platform and for adjacent arm crossover.

Secondary arm is available as a rigid pipe or hose.

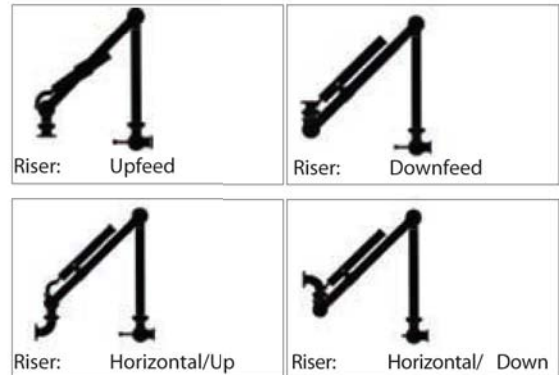
Standard vertical range of motion for the loading arm is 55° (park position) to -20° (load position). Maximum vertical range of movement up to 95° with spring cylinders.

Standard arms feature the D2000 World Series swivel joints for ultra low maintenance & the easy to adjust spring cylinder balance.

- ☞ Pipe Size: 2" through 12"
- ☞ Materials: Carbon, Steel carbon, Steel/ Aluminum, Stainless steel

### Riser connection options

Loading arms shown in the park position

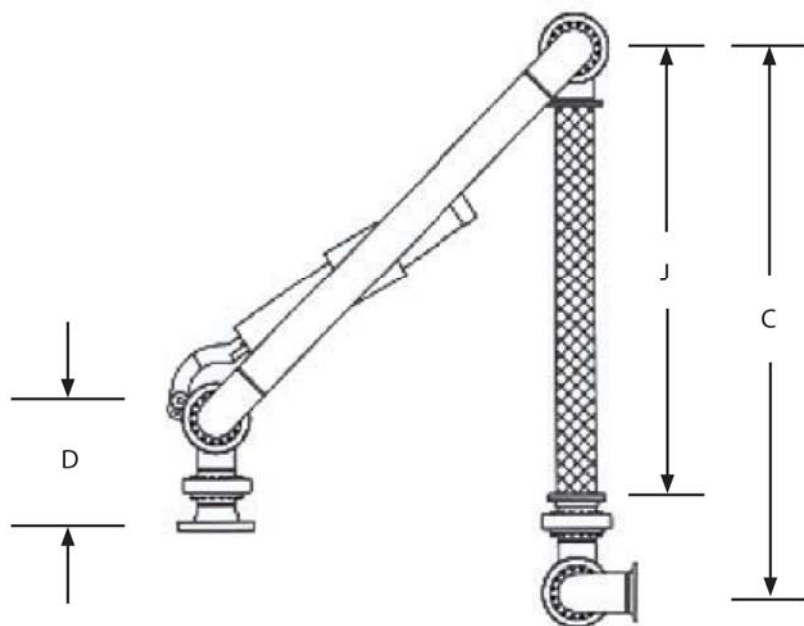


**PROM TEC, S.A. DE C.V.**

Zacatepetl 363 A, Delegación Tlalpan  
14010 México, D.F. Tel- +52 (55)  
5606-1611, e-mail:  
promtec@promtec.com.mx

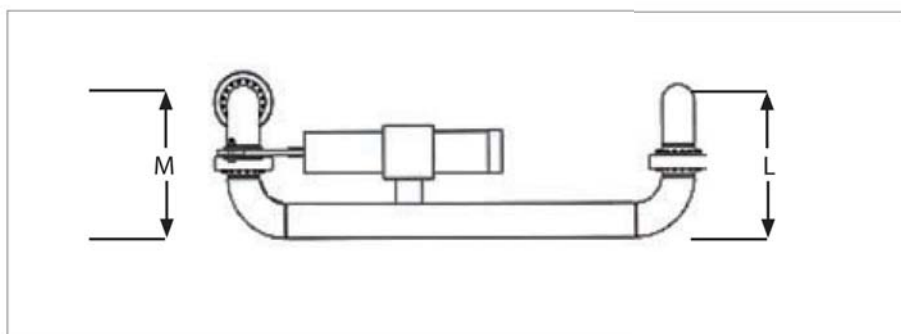
# E2313

Dimensions and technical data



Dimensions

	D	M	L
2"	9.9"	10.11"	10.11"
3"	11.86"	13.11"	13.11"
4"	14.11"	16.11"	16.11"
6"	-	-	-



PROM TEC, S.R. DE C.V.

Zacatepetl 363 A, Delegación Tlalpan  
 14010 México, D.F. Tel- +52 (55)  
 5606-1611, e-mail:  
 promtec@promtec.com.mx

Better by  
 DESIGN

Whilst the content of this leaflet  
 has been edited with the greatest  
 care, we are not liable for any errors  
 and/or omissions. Subject to change  
 without notice.



**EMCO WHEATON**

A Gardner Denver Product

EMCO WHEATON USA INC  
 9111 Jackrabbit Road · Houston, Texas 77095 · USA  
 Phone +1 281 856-1300 · Fax +1 281 856-1325  
 www.emcowheaton.com · sales-us@emcowheaton.com