

E2025 | SUPPORTED BOOM TOP LOADING ARM



5 year limited warranty on D2000 World Series swivel joints.

Supported boom loaders are the most versatile of all top loading arms. They provide the greatest mis-spot capability and allow for the greatest reach. See sporting map.

Easy to adjust, super smooth action spring cylinder balance, heavy duty capacity swivel joints and a custom boom support enable these arms to reach even further than the E2022 unsupported boom loader.

Standard arms feature the D2000 World Series swivel joint. A heavy duty, low profile joint with a 5-year maintenance free limited warranty. A variety of seal configurations and elastomers ensure long life performance for each specific application.

Standard vertical range of movement for the arm is +55 deg (park position) to -20 deg (loading position). A World Series spring cylinder can provide up to 95 deg of full movement if required.

- Pipe size: 2" (50.8mm) through 12" (305mm)
- Materials: Carbon steel, Carbon, Steel/ Aluminium

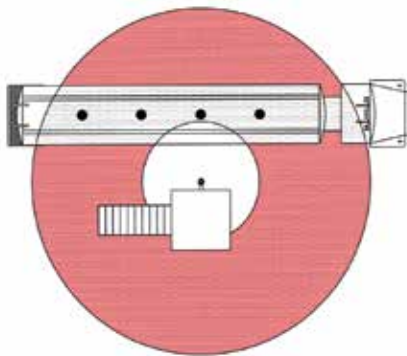
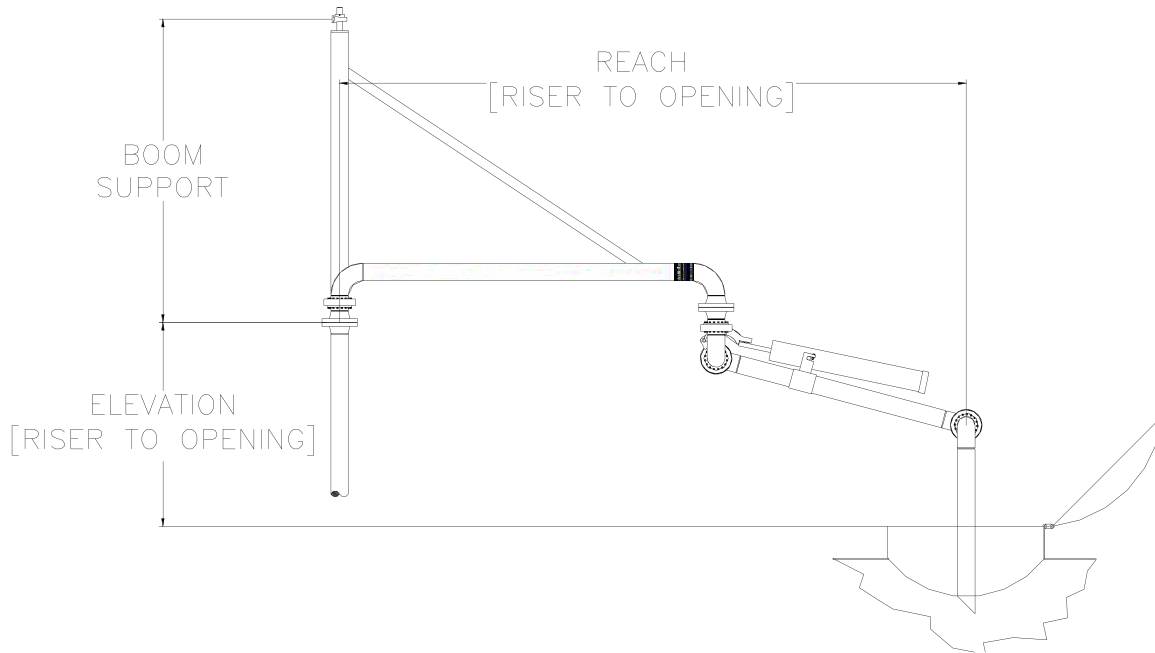
Riser connection options

Loading arms shown in the park position

Riser: Upfeed Base: Upfeed	Riser: Downfeed Base: Upfeed
Riser: Horizontal/Up Base: Upfeed	Riser: Horizontal/Down Base: Upfeed
Riser: Downfeed Base: Downfeed	Riser: Upfeed Base: Downfeed
Riser: Horizontal/Down Base: Downfeed	Riser: Horizontal/Up Base: Downfeed

E2025 | SUPPORTED BOOM TOP LOADING ARM

DIMENSIONS AND TECHNICAL DATA



TYPICAL REACH POTENTIAL

E2025 2" 51MM 3" 76MM 4" 102MM 6" 152MM

As a part of a continuous commitment to product development the company reserves the right to alter the specification of its products without prior notice.